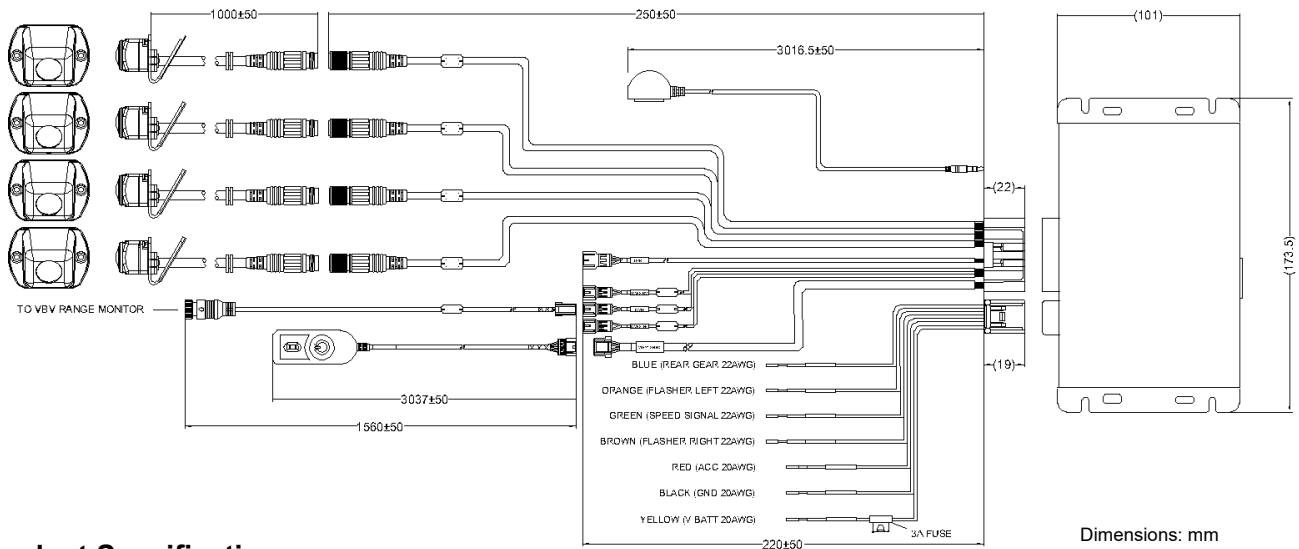


Product Specification



Brigade Model Number: BN360-200
Part Number: 5200



Dimensions: mm

Product Specification

Environmental Specifications:

- Vibration Rating: 8.5G
- Shock Rating: 50G
- Camera + Connector IP Rating: IP69K
- ECU IP Rating: IP30
- Operating Temperature: -30°C ~ +75°C
- Storage Temperature: -40°C ~ +85°C

Approved Standards:

- CE - (EN 61000-6-1:2007 / EN 61000-6-3:2007)
- 'E' Mark - (ECE Regulation 10 Rev 05)
(ECE Regulation 46 Rev. 06, VBV-770M with BN360-200 / BN360-100C)
- EMC for Earth Moving Machinery - (ISO 13766:2006)
- EMC for Construction Equipment - (EN13309:2010)
- FCC - (47 CFR Part 15 Subpart B)
- Industry Canada (ICES-003)
- Elements of ISO 16750:2012
- Ingress Protection - (ISO 20653:2006)
- WEEE
- RoHS

Technical Specifications:

- Operating Voltage: 12/24V
- Current Consumption: ≤ 650mA@12V
- Power Consumption: ≤ 8W @12V
- TV System: NTSC/PAL
- Output Resolution: 720 x 480
- Camera Resolution: 640 x 480
- Camera Viewing Angle: 185°(H) x 142°(V)
- Number of Video Inputs: 4
- Number of Video outputs: 3
- Number of Triggers In: 4
- Dynamic Range: 63dB
- Required Illumination: 0.5 Lux
- Video output: 1.0 Vp-p / 75Ω
- ECU Overall Dimensions: 174 x 101 x 30mm
- Camera Overall Dimensions: 36 x 61 x 46mm
- System Weight: 1170g

Technical Specifications Continued...

- Length of Cable:
 - Camera: 1000mm
 - ECU power: 1500mm
 - ECU video output: 1560mm
- Cable Thickness:
 - Power Cable: 20AWG
 - Trigger Cable: 22AWG
- ECU Casing Material: Aluminium
- Camera Casing material: ALDC12
- Camera Housing material: Die Cast Zinc Alloy
- ECU Colour: Black
- Camera Colour: Black
- Camera Housing Colour: Silver

Features:

- 360° visibility using ultra wide viewing angle cameras
- Customisable 360° views:
 - Landscape or portrait configurations
 - Front and rear Crossing Traffic Views
 - Front and rear "top-down" focussed views
 - Left & right side lane changing views
 - Customisable vehicle position in 360° view
- On-screen configuration menu
- Configurable trigger functions (triggered view, off delay)
- Speed signal trigger (configurable input range)
- Configurable on screen parking markers
- Additional video output for recording native camera images (split screen view of all 4 cameras on single screen)
- 10 x OSD languages (EN,FR,DE,IT,ES,NL,PT,TR,PL,RU)
- For more information refer to Calibration, Installation & Operation Guide.

Package Contents:

- 1x ECU
- 1x ECU Power Harness
- 1x ECU Interface Harness
- 1x Video Output Cable
- 1x Set-up & View Select Button
- 1x IR Receiver + Remote Control
- 4x Camera with Mount, Housing, Gasket + Fixing Kit
- 1x User Guide

Brigade House The Mills Station Road South Darenth Kent DA4 9BD

Technical +44 (0) 1322 420347 marketing@brigade-electronics.com www.brigade-electronics.com

